

# HIGH TEMPERATURE HIGH BAY PERFORMANCE IN EXTREME ENVIRONMENTS



|                      |                  |          |                |                    |                  |     |                      |             |                 |
|----------------------|------------------|----------|----------------|--------------------|------------------|-----|----------------------|-------------|-----------------|
|                      |                  |          |                |                    |                  |     |                      |             |                 |
| 120-277V or 347-480V | 0-10V DIM        | 150 LPW  | -40°F TO 176°F | IP67 RATED         | <15% THD<br>>0.9 | 70+ | 110°<br>60° OPTIONAL | L70 >50,000 | 5 YEAR WARRANTY |
| VOLTAGE              | OPTIONAL 10V DIM | EFFICACY | OPERATING TEMP | INGRESS PROTECTION | PWR FACTOR/THD   | CRI | BEAM ANGLE           | RATED LIFE  | WARRANTY        |

## go to high bay extremes



- 176°F ambient rating, suitable for foundries, steel mills, smelters and other demanding applications.
- IP67 rated for high resistance to dust and liquids.
- Super high efficacy LEDs and driver >22,000 lumens @150 LPW.
- Hanger ring, pendant or junction box mounting options.

← high quality tempered glass & aluminum



| PART #             | UPC          | REPLACES | WATTAGE | LUMENS | LPW | CCT (K) | DLC PRODUCT CODE |
|--------------------|--------------|----------|---------|--------|-----|---------|------------------|
| RP-HTHB-21L-50K    | 844006011246 | 400W HID | 150W    | 22500  | 150 | 5000K   | PLTK1DTN6KWH     |
| RP-HTHB-21L-50K-HV | 844006011253 | 400W HID | 150W    | 22500  | 150 | 5000K   | PLEOJAT3ZZ5      |



**RemPhos** by Light Efficient Design  
lighting on target

FOR PRODUCT INFO ("LED" MODEL #) CONTACT.....Light Efficient Design • 188 S. Northwest Highway • Cary, IL 60013 • 847.380.3540 • led-llc.com  
FOR PRODUCT INFO ("RP" MODEL #) CONTACT.....RemPhos by Light Efficient Design • 30 Log Bridge Road, Building 200 • Middleton, MA 01949 • 877.997.3674 • remphos.com

02.28.19 Information is subject to change without notice.

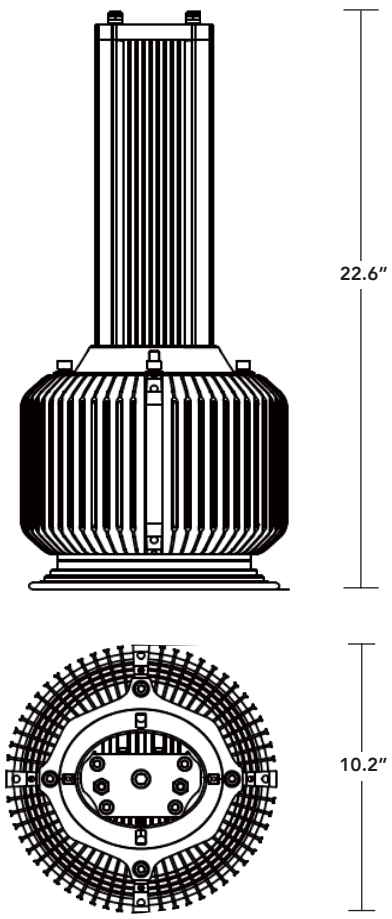
# HIGH TEMPERATURE HIGH BAY PERFORMANCE IN EXTREME ENVIRONMENTS



## ACCESSORIES

| MODEL #                 | DESCRIPTION                             |
|-------------------------|---|
| RP-HTHB-REFLECTOR-60DEG | 60° Reflector for High Temp High Bay    |
| RP-HTHB-JBOX            | Junction Box for High Temp High Bay     |
| RP-HTHB-JBOXBRACKET     | JBox Bracket for High Temp High Bay     |
| RP-HTHB-TRUNBRACKET     | Trunnion Bracket for High Temp High Bay |

## GENERAL SPECIFICATIONS



### ELECTRICAL

| SPECIFICATION   | RP-HTHB-21L-50K | RP-HTHB-21L-50K-HV |
|-----------------|-----------------|--------------------|
| Rated power     | 150W            | 150W               |
| Input Voltage   | 120-277V        | 347-480V           |
| Input Frequency | 50/60 Hz        | 50/60 Hz           |
| Power Factor    | >0.95           | >0.95              |
| Dimmable        | 0/1 ~ 10V       | 0/1 ~ 10V          |

### OPTICAL

| SPECIFICATION   | RP-HTHB-21L-50K        | RP-HTHB-21L-50K-HV     |
|-----------------|------------------------|------------------------|
| Lumen Output    | 22500 Lm               | 22500 Lm               |
| Lumens per Watt | 150 Lm/W               | 150 Lm/W               |
| Beam Angle      | 110° STD, 60° Optional | 110° STD, 60° Optional |
| CCT             | 5000K                  | 5000K                  |
| CRI             | >70                    | >70                    |

### ENVIRONMENTAL

| SPECIFICATION                 | RP-HTHB-21L-50K | RP-HTHB-21L-50K-HV |
|-------------------------------|-----------------|--------------------|
| Ambient Operating Temperature | -40°F to +176°F | -40°F to +176°F    |
| Ambient Operating Humidity    | 10% ~ 90% RH    | 10% ~ 90% RH       |

### MECHANICAL

| SPECIFICATION    | RP-HTHB-21L-50K                   | RP-HTHB-21L-50K-HV                |
|------------------|-----------------------------------|-----------------------------------|
| Housing Material | Aluminum                          | Aluminum                          |
| Lens Material    | Tempered Glass                    | Tempered Glass                    |
| Mounting Options | Hanging Hook/Pendant/Junction Box | Hanging Hook/Pendant/Junction Box |

### COMPLIANCE

| SPECIFICATION             | RP-HTHB-21L-50K | RP-HTHB-21L-50K-HV |
|---------------------------|-----------------|--------------------|
| UL1598 for USA and Canada | ✓               | ✓                  |
| CE / ROHS                 | ✓               | ✓                  |
| DLC 4.2 / FCC             | ✓               | ✓                  |
| IP67                      | ✓               | ✓                  |

### PRODUCT WEIGHT

| SPECIFICATION | RP-HTHB-21L-50K | RP-HTHB-HV-XXL-50K |
|---------------|-----------------|--------------------|
| Net Weight    | 11.0kg/22.3lbs. | 11.0kg/22.3lbs.    |
| Gross Weight  | 12.2g/26.9lbs.  | 12.2g/26.9lbs.     |



FOR PRODUCT INFO ("LED" MODEL #) CONTACT.....Light Efficient Design • 188 S. Northwest Highway • Cary, IL 60013 • 847.380.3540 • led-llc.com  
 FOR PRODUCT INFO ("RP" MODEL #) CONTACT.....RemPhos by Light Efficient Design • 30 Log Bridge Road, Building 200 • Middleton, MA 01949 • 877.997.3674 • remphos.com

02.28.19 Information is subject to change without notice.

# HIGH TEMPERATURE HIGH BAY PERFORMANCE IN EXTREME ENVIRONMENTS



## MOUNTING OPTIONS



HK02 HOOK



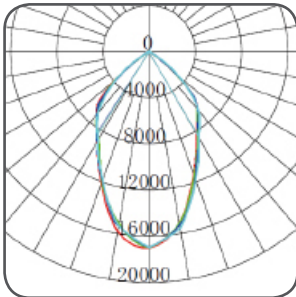
PENDANT



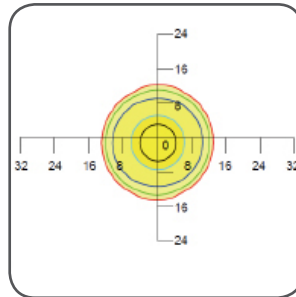
JUNCTION BOX NPT 3/4"

## PHOTOMETRICS

### 60 Degree



— C0/180,61.1° — C60/240,62.7°  
 — C30/210,61.6° — C90/270,62.2°

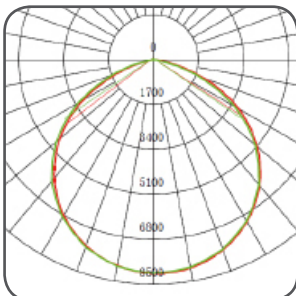


MOUNTING HEIGHT 33' (10M), 0 TILT

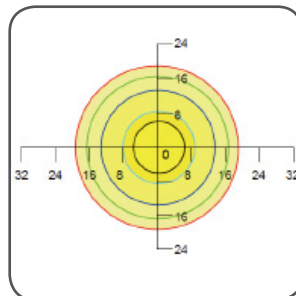
| Illumination-60 Degree |          |          |
|------------------------|----------|----------|
| 6m                     | 7.1m     | 255.3Lux |
| 8m                     | 9.4m     | 143.7Lux |
| 10m                    | 11.8m    | 91.9Lux  |
| 12m                    | 14.2m    | 63.8Lux  |
| 15m                    | 17.7m    | 40.9Lux  |
| Height                 | Diameter | Eavg     |

FLUX OUT: 10424 LM

### 110 Degree



— V 0.0DEG PLAN, 111.8  
 — H 0.0DEG PLAN, 112.2



MOUNTING HEIGHT 33' (10M), 0 TILT

| Illumination-100 Degree |          |         |
|-------------------------|----------|---------|
| 6m                      | 17.7m    | 85.8Lux |
| 8m                      | 23.6m    | 48.2Lux |
| 10m                     | 39.4m    | 30.9Lux |
| 12m                     | 35.3m    | 21.4Lux |
| 15m                     | 44.1m    | 13.7Lux |
| Height                  | Diameter | Eavg    |

FLUX OUT: 21319 LM

**RemPhos** by Light Efficient Design  
 lighting on target

FOR PRODUCT INFO ("LED" MODEL #) CONTACT.....Light Efficient Design • 188 S. Northwest Highway • Cary, IL 60013 • 847.380.3540 • led-llc.com  
 FOR PRODUCT INFO ("RP" MODEL #) CONTACT.....RemPhos by Light Efficient Design • 30 Log Bridge Road, Building 200 • Middleton, MA 01949 • 877.997.3674 • remphos.com

02.28.19 Information is subject to change without notice.